

**Guidance on Workmanship**

**for Better**

**Acoustic Performance**

This booklet gives practical guidance to housebuilders on how to avoid the 'top ten' faults which can affect the sound insulation of party walls, party floors and their flanking constructions. Such faults can and often do lead to failure when constructions are tested to show compliance with Part E of the Building Regulations. It is therefore important to follow the guidance given. It applies equally to building conversions and new build projects. The various issues dealt with are as follows:

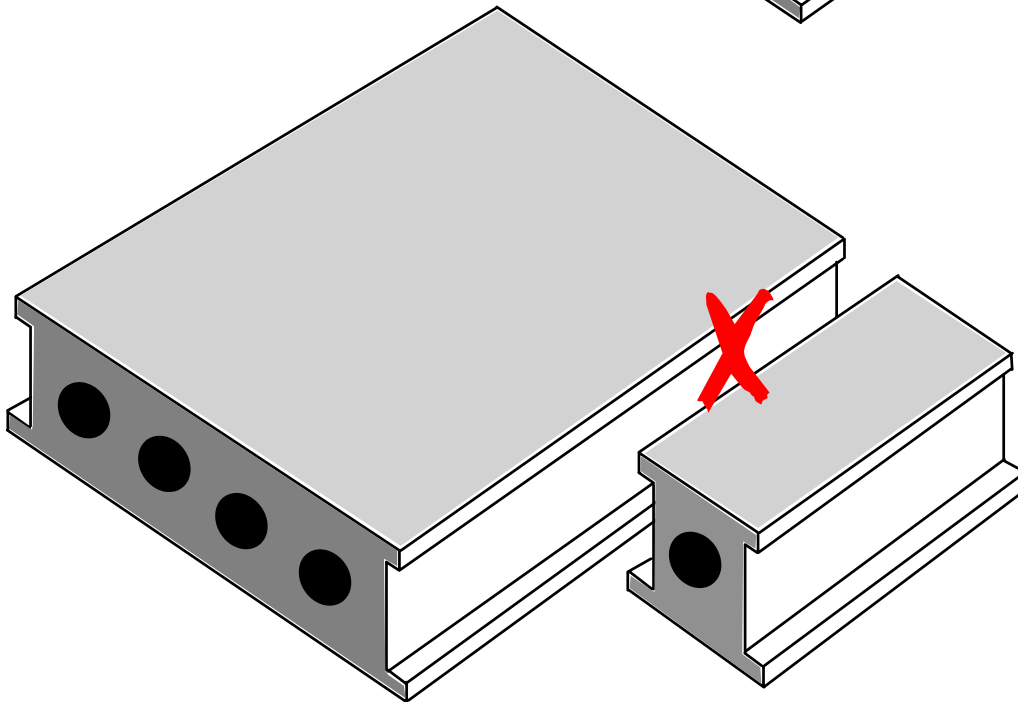
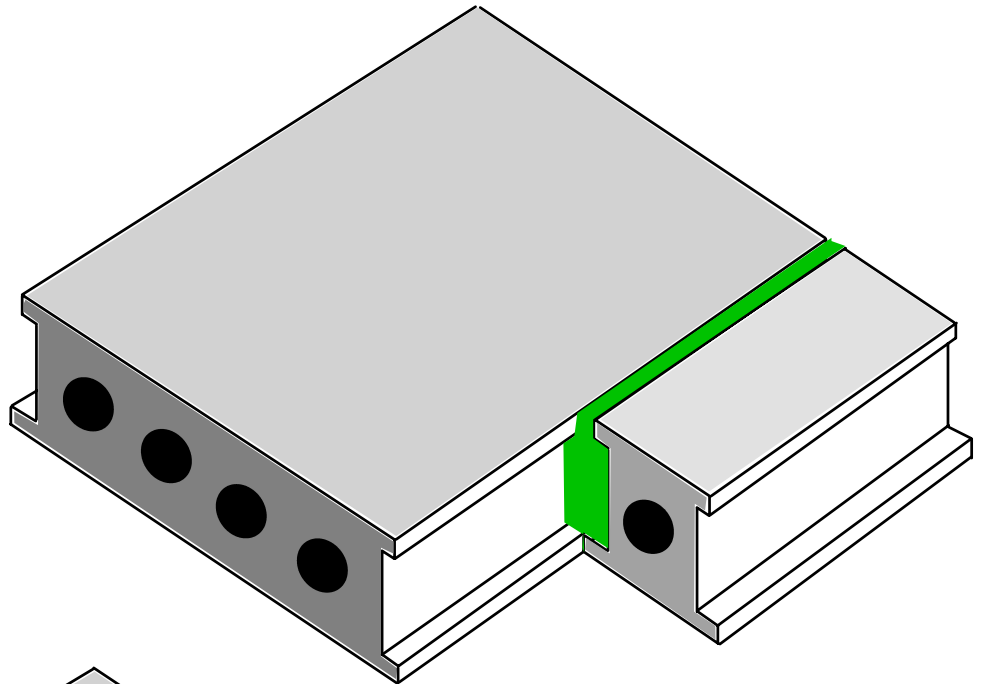
- precast Concrete Planks
- Plasterboard Partition Head Detail
- Building the Right Thing
- Timber Separating Floors - Floating Floors
- Cavity Masonry Separating Walls - Wall Ties
- Cavity Masonry Walls - Cavity Bridging
- Concrete Blockwork
- Materials
- Plasterboard on Dabs
- Resilient Bars

# SRL

## Precast Concrete Planks

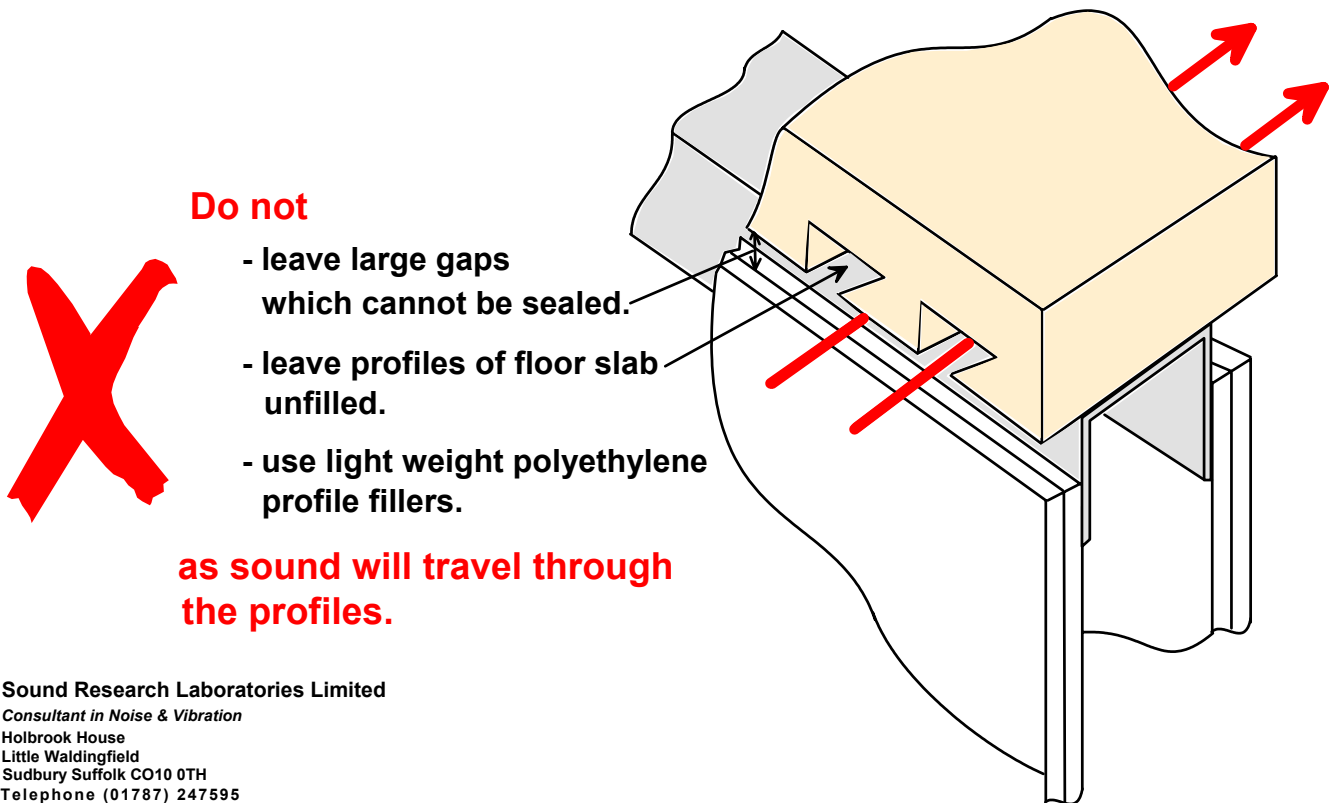
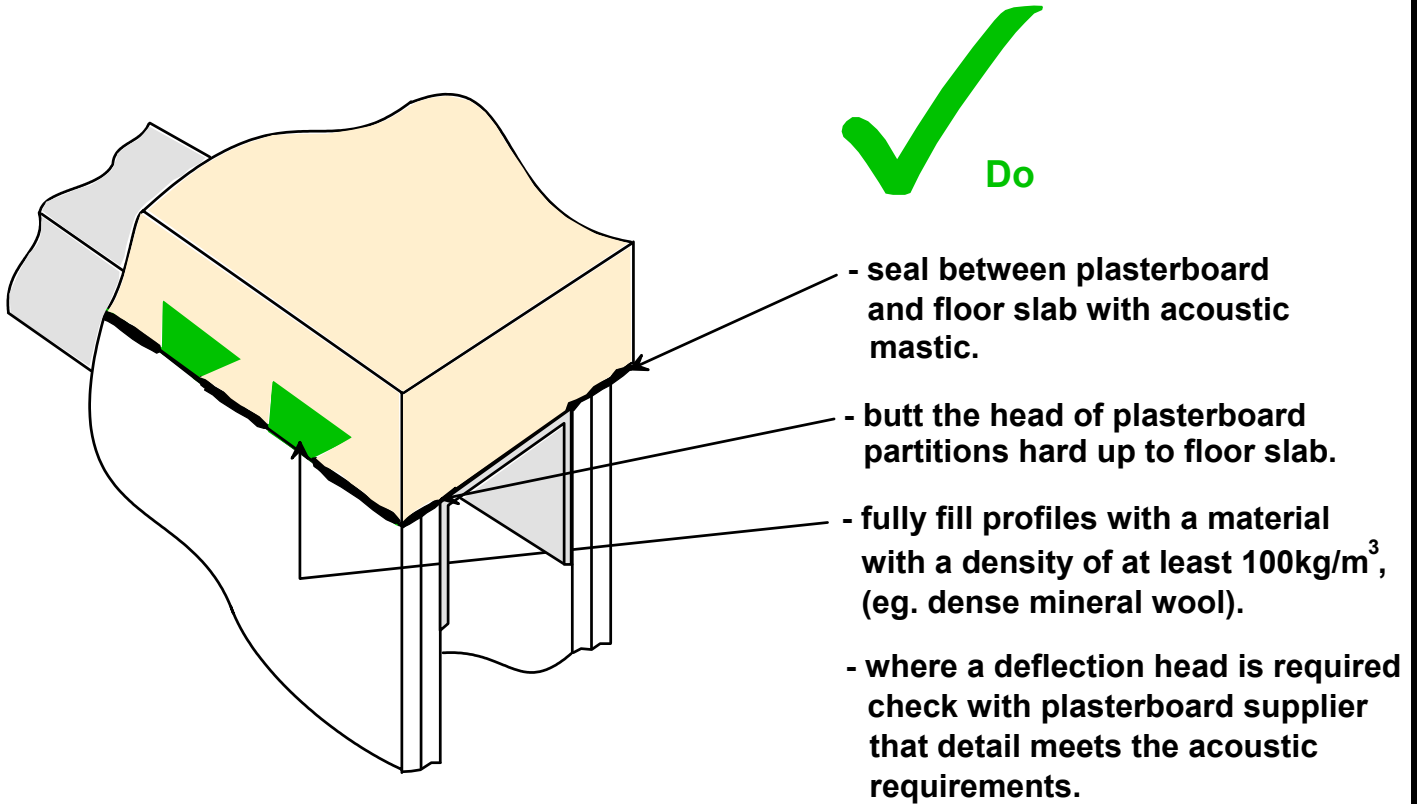


**Do** butt planks tightly together and fully grout all joints between planks.



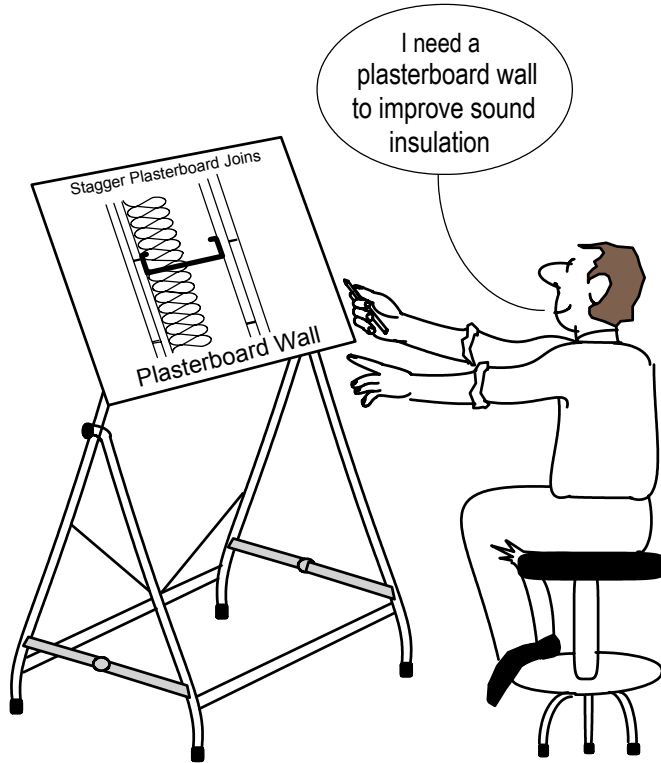
**Do not** leave large gaps between planks or leave out grout because sound will go through here.

Sound Research Laboratories Limited  
Consultant in Noise & Vibration  
Holbrook House  
Little Waldingfield  
Sudbury Suffolk CO10 0TH  
Telephone (01787) 247595  
Fax (01787) 248420  
e-mail: [srl@soundresearch.co.uk](mailto:srl@soundresearch.co.uk)





# Building the Right Thing



**Do** look at the drawings and make sure that's what is built.



**Do not** assume all details are the same or the acoustics may suffer.



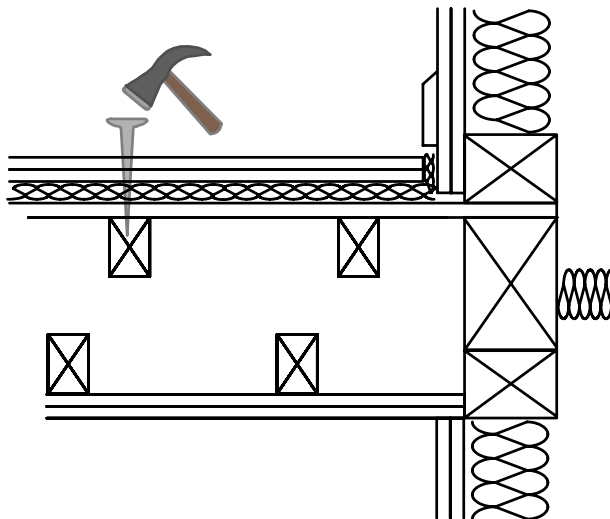
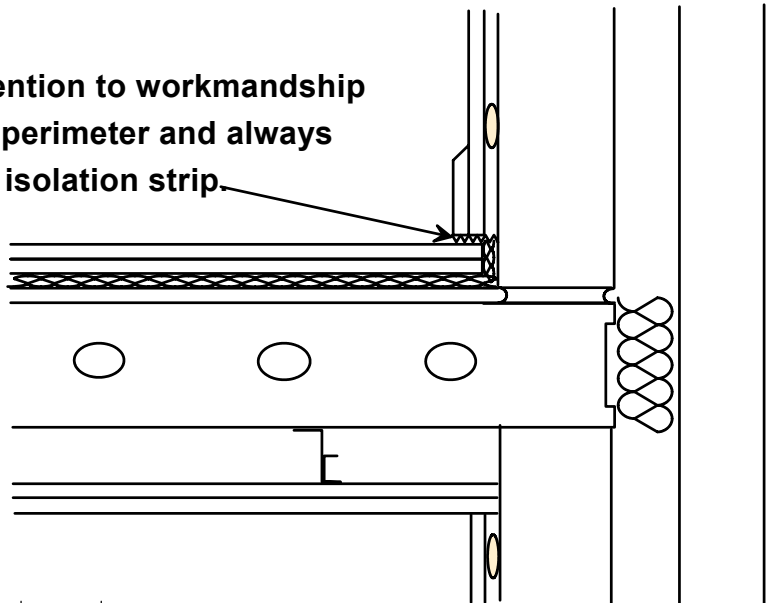
**Sound Research Laboratories Limited**  
*Consultant in Noise & Vibration*  
Holbrook House  
Little Waldingfield  
Sudbury Suffolk CO10 0TH  
Telephone (01787) 247595  
Fax (01787) 248420  
e-mail: [srl@soundresearch.co.uk](mailto:srl@soundresearch.co.uk)



## Timber Separating Floors Floating Floors



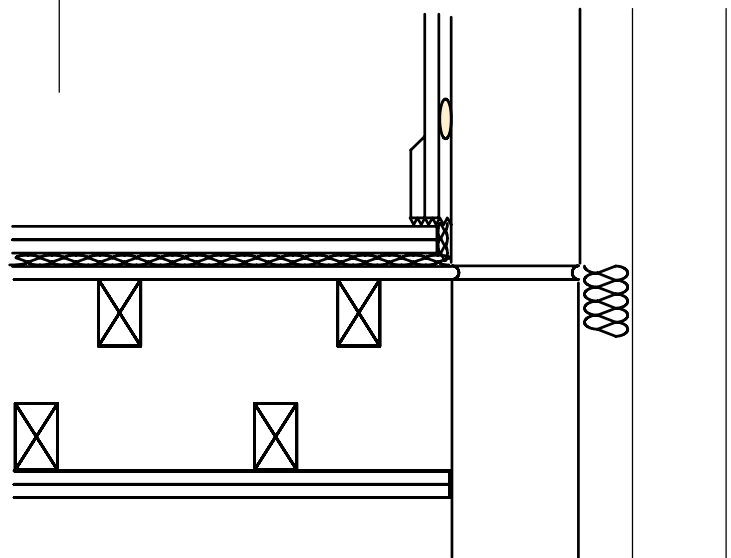
**Do** give special attention to workmanship and detailing at the perimeter and always include a perimeter isolation strip.



**Do not** nail or screw through the resilient layer as it will short circuit the floating floor.



**Do not** use timber floors with masonry separating walls as they do not work for noise (unless the masonry leaf is very heavy).



Sound Research Laboratories Limited

Consultant in Noise & Vibration

Holbrook House

Little Waldingfield

Sudbury Suffolk CO10 0TH

Telephone (01787) 247595

Fax (01787) 248420

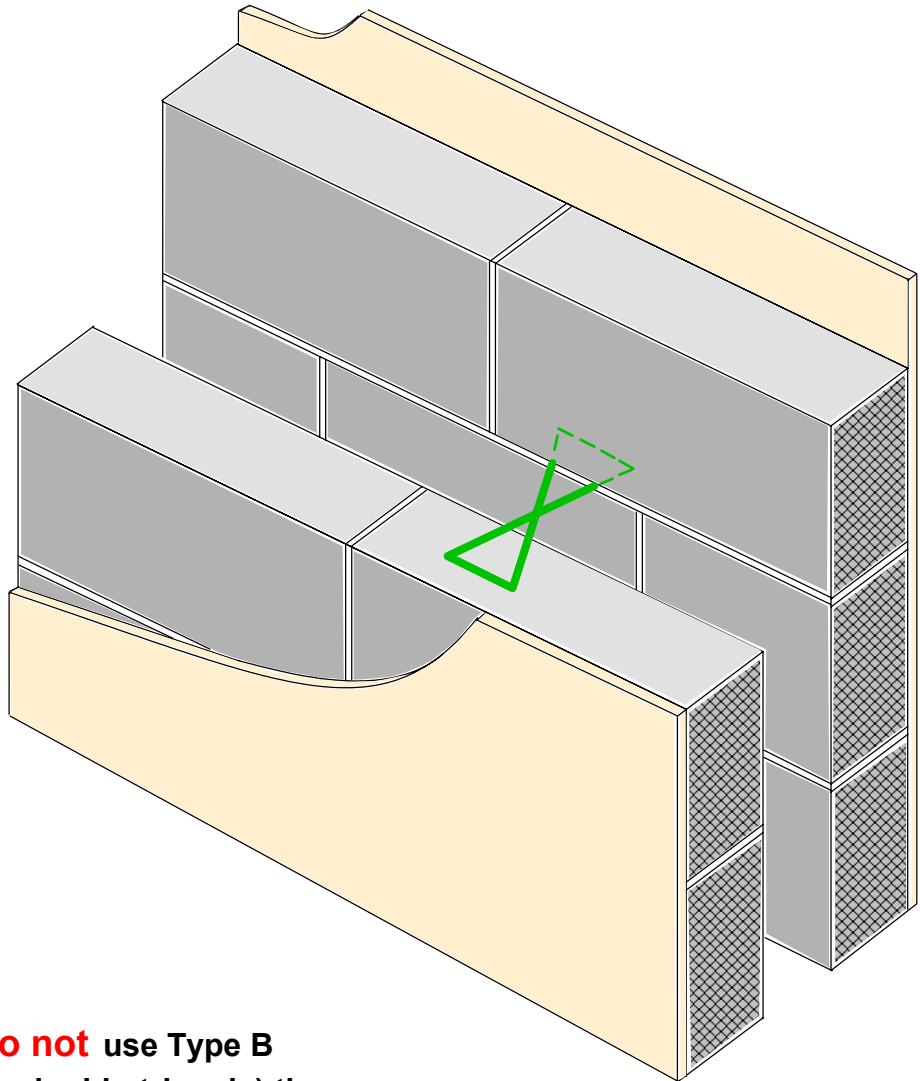
e-mail: [srl@soundresearch.co.uk](mailto:srl@soundresearch.co.uk)



## Cavity Masonry Separating Walls Wall Ties



**Do** use Type A (eg.butterfly) wall ties in party walls (as defined by Approved Document E).



**Do not** use Type B (eg.double-triangle) ties.

**Sound Research Laboratories Limited**

*Consultant in Noise & Vibration*

Holbrook House

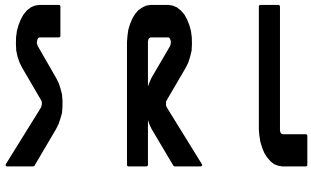
Little Waldingfield

Sudbury Suffolk CO10 0TH

Telephone (01787) 247595

Fax (01787) 248420

e-mail:srl@soundresearch.co.uk



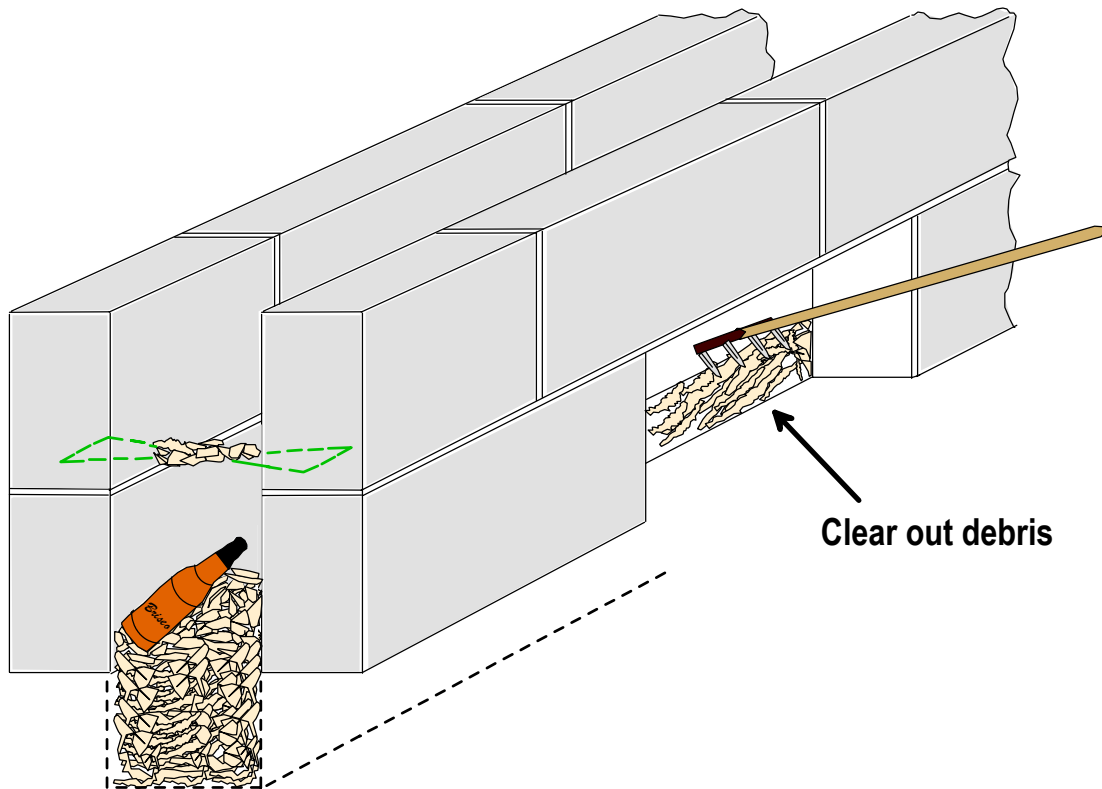
## Cavity Masonry Walls Cavity Bridging



**Do** keep cavity and wall ties free from mortar droppings and other debris.

Regularly clean off ties as building progresses.

Clean out base by removing blocks when wall is complete unless a cavity board has been used.



Clear out debris



**Do not** allow mortar to build up on wall ties or on cavity stops or at the wall base or sound will travel through it.

Sound Research Laboratories Limited

Consultant in Noise & Vibration

Holbrook House

Little Waldingfield

Sudbury Suffolk CO10 0TH

Telephone (01787) 247595

Fax (01787) 248420

e-mail: [srl@soundresearch.co.uk](mailto:srl@soundresearch.co.uk)



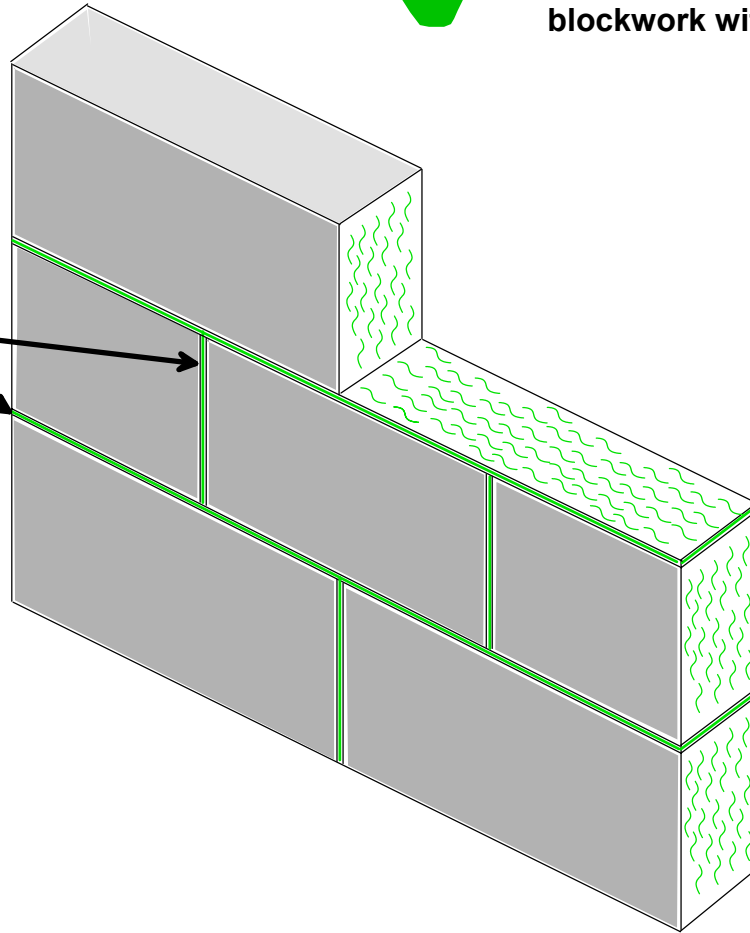
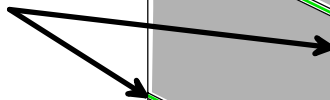


# Concrete Blockwork



Do fully fill all joints between blockwork with mortar.

Fully fill all perpends and bed joints

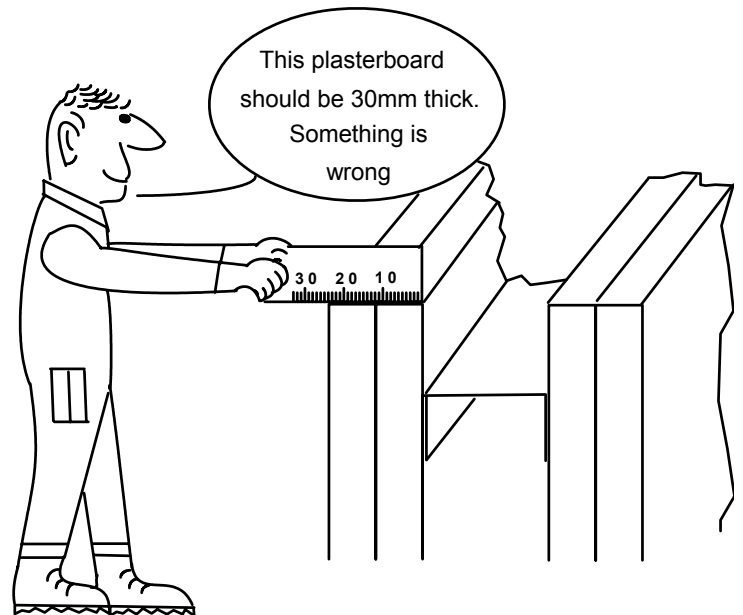


Do not partially fill joints because the sound will go through the gaps.

# SRL Materials



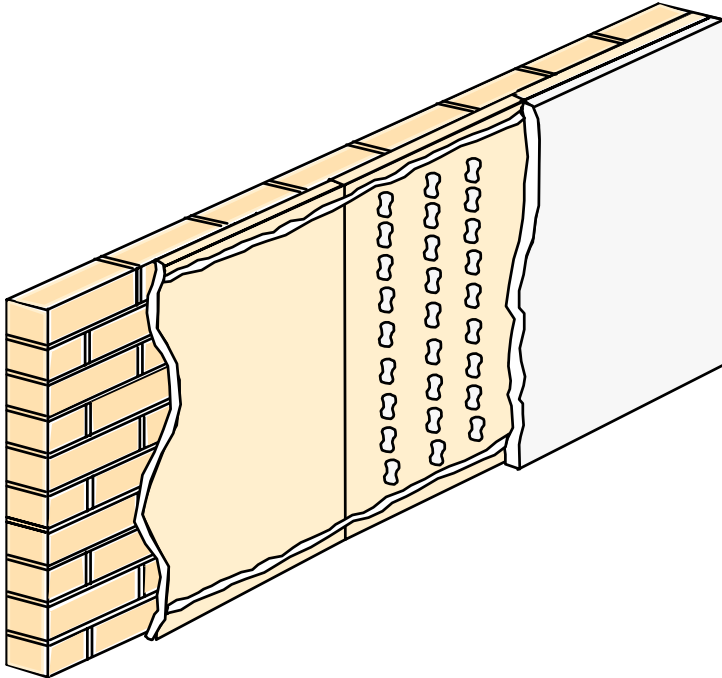
**Do** check that materials are correct.  
If in doubt weigh and measure blockwork  
and check plasterboard thickness and  
density.



**Do not** use any old block or plasterboard without checking that density and thicknesses are correct as noise goes easily through light materials. A 7N block may not have the specified weight.



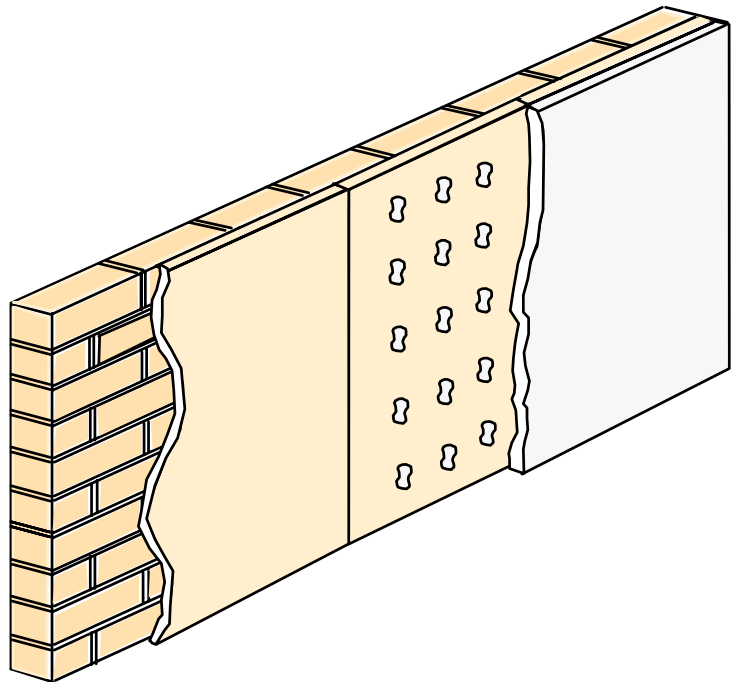
# Plasterboard on Dabs



**Do** apply dabs to plasterboard suppliers instructions including a continuous ribbon of adhesive around the wall perimeter.



**Do not** skimp on the area of dabs used. They should always have a contact area of at least 20% of the board area otherwise the plasterboard will drum.



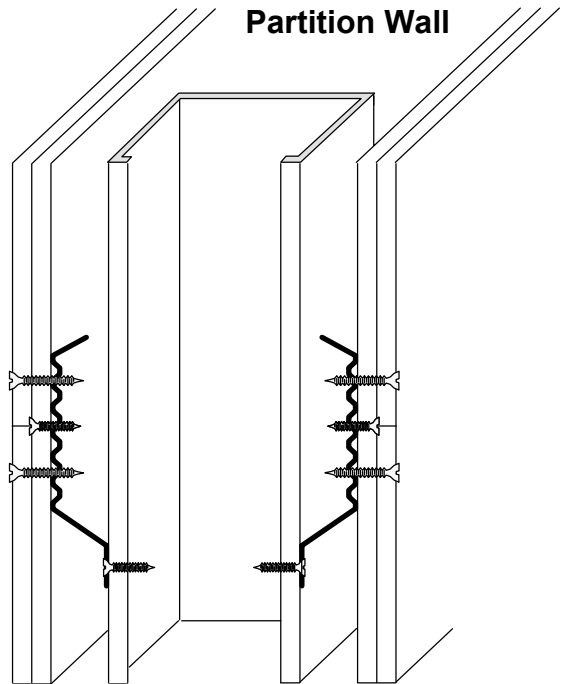
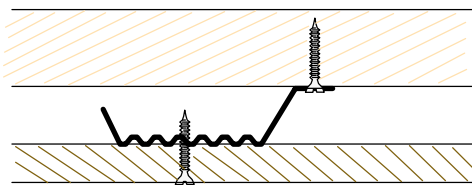


# Resilient Bars

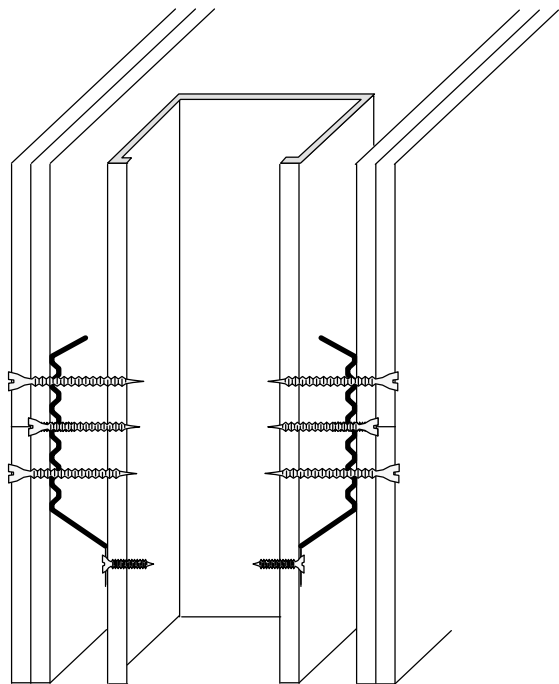
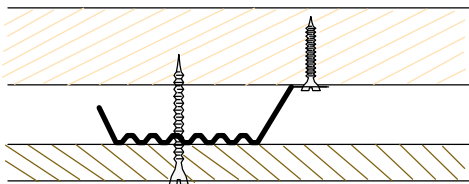


**Do** fix resilient bars with correct length screws so they do not bridge between plasterboard and floor joist or partition channels.

Partition floor



**Do not** use long screws which bridge between plasterboard and floor joists or partition channels as this will short circuit the resilient bar.



**Sound Research Laboratories Limited**  
*Consultant in Noise & Vibration*  
Holbrook House  
Little Waldingfield  
Sudbury Suffolk CO10 0TH  
Telephone (01787) 247595  
Fax (01787) 248420  
e-mail: [srl@soundresearch.co.uk](mailto:srl@soundresearch.co.uk)